

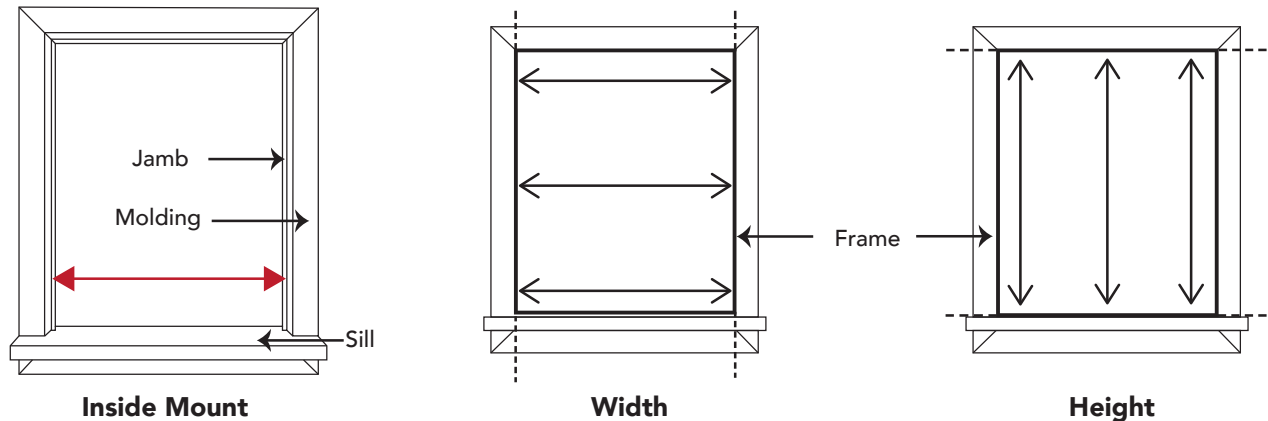
# Interior Window Measuring Guide

**GUIDELINES FOR** Measure each window individually, as size variances are common.

**A PERFECT FIT** Record width first and then height. Round down to the nearest 1/16".

Measure width from left to right, height from top to bottom, using a steel tape measure.

**DO NOT USE A CLOTH MEASURING TAPE.**



- 1. Measure Width:** Measure the inside width of window frame in three places where you will install the interior window. Record narrowest measurement.\*
- 2. Measure Height:** Measure the inside height from the top of window frame to top of sill in three places where you will install the interior window. Record shortest measurement.\*

Interior windows are made to the size ordered to fit inside your opening.

\* If the difference between the largest measurement and the smallest measurement is greater than 1/4" in height or 1/2" in width, do not order these windows.

## Helpful Hints:

- Make sure your interior blinds are mounted on the outside of your window frame.
- If you have crank style windows, ensure your window has sufficient depth to accommodate the interior windows.